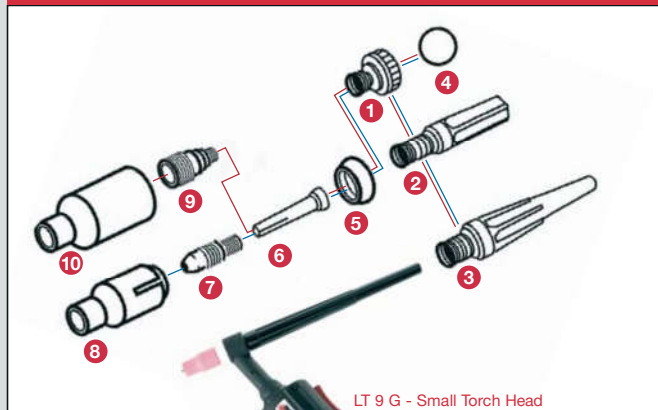


# Torches Air-cooled

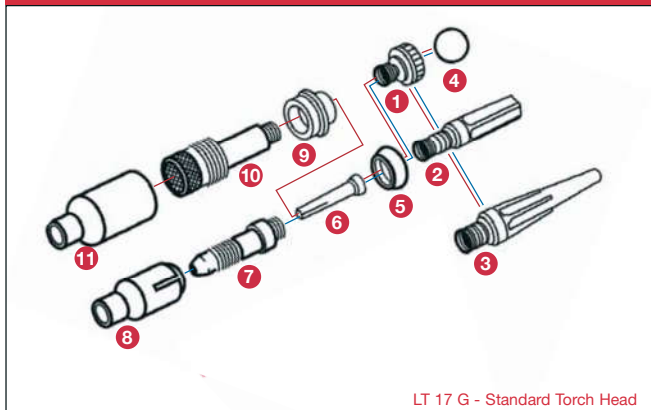
## LT 9 G Air-cooled



LT 9 G - Small Torch Head

Product	Item nr.	Amp.
LT 9 G 4 mtr Ergo	K10513-9-4	110 A DC
LT 9 G 8 mtr Ergo	K10513-9-8	
LT 9 G 4 mtr Lever	K10513-9-4F	80 A AC
LT 9 G 8 mtr Lever	K10513-9-8F	@ 35%
Accessory kit 1,0 - 1,6 mm	KP10516-9	

## LT 17 G Air-cooled



LT 17 G - Standard Torch Head

Product	Item nr.	Amp.
LT 17 G 4 mtr Ergo	K10513-17-4	140 A DC
LT 17 G 8 mtr Ergo	K10513-17-8	
LT 17 G 4 mtr Lever	K10513-17-4F	100 A AC
LT 17 G 8 mtr Lever	K10513-17-8F	@ 35%
Accessory kit 1,6 - 2,4 mm	KP10516-11	

		Item	Description	Int.	Pcs./pck	
Gas-lens	STANDARD	1	KP10508-1	Short cap	41V33	10
		2	KP10508-2	Medium cap	41V35	10
		3	KP10508-3	Long cap	41V24	10
		4	KP10508-4	O-ring	VS-1-02	10
STANDARD	5	KP10510-1	Standard Insulator	598882	10	
	6	1,0 mm	KP10502-10	Collet	13N21	10
		1,6 mm	KP10502-16	Collet	13N22	10
		2,4 mm	KP10502-24	Collet	13N23	10
		3,2 mm	KP10502-32	Collet	13N24	10
	7	0,5-1,0 mm	KP10504-10	Collet Body	13N26	10
		1,6 mm	KP10504-16	Collet Body	13N27	10
		2,4 mm	KP10504-24	Collet Body	13N28	10
		3,2 mm	KP10504-32	Collet Body	13N29	10
	STANDARD	8	6,5 mm	KP10512-4	Ceramic Nozzle	13N08
8,0 mm			KP10512-5	Ceramic Nozzle	13N09	10
9,5 mm			KP10512-6	Ceramic Nozzle	13N10	10
11,0 mm			KP10512-7	Ceramic Nozzle	13N11	10
12,5 mm			KP10512-8	Ceramic Nozzle	13N12	10
16,0 mm			KP10512-10	Ceramic Nozzle	13N13	10
Gas-lens	9	0,5-1,0 mm	KP10506-10	Gas-lens	45V42	10
		1,6 mm	KP10506-16	Gas-lens	45V43	10
		2,4 mm	KP10506-24	Gas-lens	45V44	10
		3,2 mm	KP10506-32	Gas-lens	45V45	10
STANDARD	10	6,5 mm	KP10513-4	Ceramic Nozzle	53N58	10
		8,0 mm	KP10513-5	Ceramic Nozzle	53N59	10
		9,5 mm	KP10513-6	Ceramic Nozzle	53N60	10
		11,0 mm	KP10513-7	Ceramic Nozzle	53N61	10
		12,5 mm	KP10513-8	Ceramic Nozzle	53N61S	10

		Item	Description	Int.	Pcs./pck			
Gas-lens	STANDARD	1	KP10509-1	Short cap	57Y04	10		
		2	KP10509-2	Medium cap	57Y05	10		
		3	KP10509-3	Long cap	57Y02	10		
		4	KP10509-4	O-ring	300M02	10		
STANDARD	5	KP10511-1	Standard Insulator	18CG	10			
	6	1,0 mm	KP10503-10	Collet	10N22	10		
		1,6 mm	KP10503-16	Collet	10N23	10		
		2,4 mm	KP10503-24	Collet	10N24	10		
		3,2 mm	KP10503-32	Collet	10N25	10		
	7	4,0 mm	KP10503-40	Collet	54N20	10		
		0,5-1,0 mm	KP10505-10	Collet Body	10N30	10		
		1,6 mm	KP10505-16	Collet Body	10N31	10		
		2,4 mm	KP10505-24	Collet Body	10N32	10		
		3,2 mm	KP10505-32	Collet Body	10N28	10		
STANDARD	8	6,5 mm	KP10514-4	Ceramic Nozzle	10N50	10		
		8,0 mm	KP10514-5	Ceramic Nozzle	10N49	10		
		9,5 mm	KP10514-6	Ceramic Nozzle	10N48	10		
		11,0 mm	KP10514-7	Ceramic Nozzle	10N47	10		
		12,5 mm	KP10514-8	Ceramic Nozzle	10N46	10		
		16,0 mm	KP10514-10	Ceramic Nozzle	10N45	10		
		19,0 mm	KP10514-12	Ceramic Nozzle	10N44	10		
Gas-lens	9	10	KP10511-1	Standard Insulator	18CG	10		
		0,5-1,0 mm	KP10507-10	Gas-lens	45V24	10		
		1,6 mm	KP10507-16	Gas-lens	45V25	10		
		2,0-2,4 mm	KP10507-24	Gas-lens	45V26	10		
		3,2 mm	KP10507-32	Gas-lens	45V27	10		
		4,0 mm	KP10507-40	Gas-lens	45V28	10		
		STANDARD	11	6,5 mm	KP10515-4	Ceramic Nozzle	54N18	10
				8,0 mm	KP10515-5	Ceramic Nozzle	54N17	10
9,5 mm	KP10515-6			Ceramic Nozzle	54N16	10		
11,0 mm	KP10515-7			Ceramic Nozzle	54N15	10		
12,5 mm	KP10515-8			Ceramic Nozzle	54N14	10		
17,5 mm	KP10515-12			Ceramic Nozzle	54N19	10		