



# MARTIN® Tail-Protection Plows

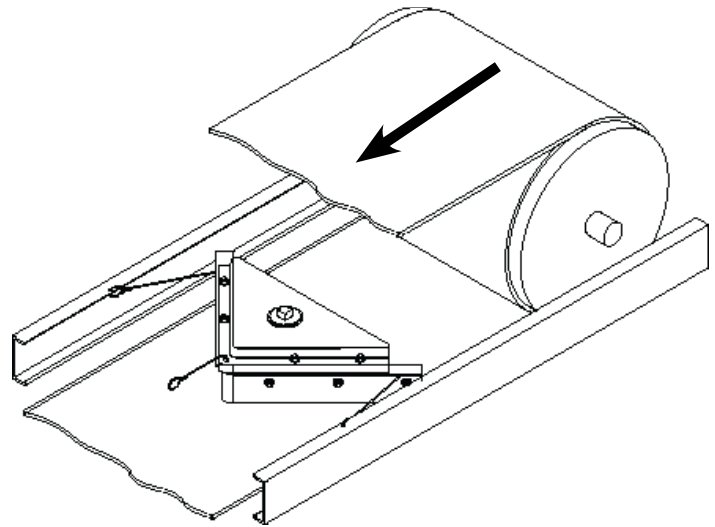
## MARTIN® Economy V-Plow

The **MARTIN® Economy V-Plow** is available for belts from 24 to 48 inches (600 to 1200 mm) wide operating at speeds up to 700 fpm (3.5 m/sec).



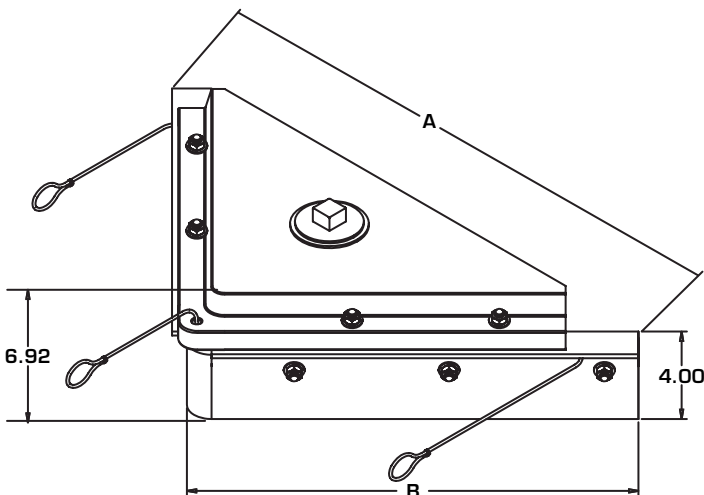
### ORDER INFORMATION

	P/N
Economy V-Plow with Rubber Blade	31641-XXR
Economy V-Plow Replacement Rubber Blade	28496-XX
Economy V-Plow with Urethane Blade	31641-XXU
Economy V-Plow Replacement Urethane Blade	28812-XX
Replace XX with belt width in inches.	



### NOTES

Because of the possibilities of freezing or evaporation, the ballast tank of the MARTIN® Economy V-Plow should not be filled with water. Use sand, gravel, or other material that has a bulk density greater than 50 lbs. per cubic foot.



### DIMENSIONS — in. (mm)

Belt Width	A Total Width	B Side Length
24 (500-650)	27.81 (706)	19.69 (500)
30 (650-800)	33.12 (841)	23.44 (595)
36 (800-1000)	39.12 (994)	27.69 (703)
42 (1000-1200)	45.12 (1146)	31.94 (811)
48 (1200-1400)	51.18 (1300)	36.19 (919)

**MARTIN® TORSION-ARM™ V-Plow**

The **MARTIN® TORSION-ARM™ V-Plow** is mounted with a unique suspension that allows the plow to rise and fall with fluctuations in belt tension and travel. This makes it self-adjusting for effective cleaning in all stages of blade wear. Can be used on belts with belt speeds up to 900 fpm (46 m/sec).

- Standard Torsion Arms are 10.25 in. (260 mm). Other lengths from 2.5 to 11.37 in. (64 to 289 mm) are available to accommodate applications with clearance limitations.
- Easily Replaceable blade provides 2 in. (50 mm) of wear. Blade is available in 80 Shore A Durometer Nitrile rubber or long-wearing 90 Shore A Durometer urethane.



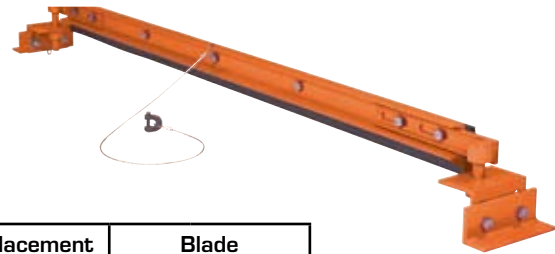
Alternative Length Suspension Arms			
To order V-Plow with arms of optional length, add Suffix Number below as final digit in part number.			
Suffix Number	Arm Length in. (mm)	Suffix Number	Arm Length in. (mm)
1	2.5 (64)	5	6.5 (165)
2	6.0 (152)	6	8.0 (203)
3	9.0 (228)	7	11.37 (289)
4	5.0 (127)	Blank	10.25 (260)

Belt Width* in. (mm)	V-Plow with Rubber Blade P/N	V-Plow with Urethane Blade P/N	Assembly Shipping Weight lb (kg)	Replacement Rubber Blade P/N	Replacement Urethane Blade P/N	Blade Shipping Weight lb (kg)
18 (400-500)	28488-18R	28488-18U	60 (27.2)	28496-18	28812-18	7.0 (3.2)
24 (500-650)	28488-24R	28488-24U	70 (31.8)	28496-24	28812-24	8.0 (3.6)
30 (650-800)	28488-30R	28488-30U	80 (36.3)	28496-30	28812-30	9.0 (4.1)
36 (800-1000)	28488-36R	28488-36U	90 (40.8)	28496-36	28812-36	10.5 (4.8)
42 (1000-1200)	28488-42R	28488-42U	100 (45.4)	28496-42	28812-42	12.0 (5.4)
48 (1200-1400)	28488-48R	28488-48U	110 (49.9)	28496-48	28812-48	13.5 (6.1)
54 (1400-1600)	28488-54R	28488-54U	120 (54.4)	28496-54	28812-54	15.0 (6.8)
60 (1600-1800)	28488-60R	28488-60U	130 (59.0)	28496-60	28812-60	16.5 (7.5)
72 (1800-2000)	28488-72R	28488-72U	150 (68.0)	28496-72	28812-72	19.0 (8.6)
84 (2000-2200)	28488-84R	28488-84U	170 (77.1)	28496-84	28812-84	20.0 (9.0)
96 (2200-2400)	28488-96R	28488-96U	190 (86.2)	28496-96	28812-96	23.0 (10.4)

\*Metric dimensions indicate industry standards for metric belting, rather than a straight conversion.

### MARTIN® Diagonal Plow

For tail protection on reversing belts, specify the **MARTIN® Diagonal Plow**. Hung from brackets on both sides of the conveyor, the MARTIN® Diagonal Plow floats on the belt surface to remove material without needing adjustment. The durable 80 Shore A Durometer Nitrile rubber blade provides 1.5 in. (38 mm) of wear in service temperatures to 250°F (121°C) and belt speeds up to 900 fpm (4.6 m/sec).



Belt Width* in. (mm)	Diagonal Plow with Rubber Blade P/N**	Assembly Shipping Weight lb (kg)	Replacement Rubber Blade P/N	Replacement Urethane Blade P/N	Blade Shipping Weight lb (kg)
18 (400-500)	22662-18X	40 (18.1)	24112-18	25403-18	7 (3.2)
24 (500-650)	22662-24X	45 (20.4)	24112-24	25403-24	8 (3.6)
30 (650-800)	22662-30X	50 (22.7)	24112-30	25403-30	9 (4.1)
36 (800-1000)	22662-36X	55 (24.9)	24112-36	25403-36	10 (4.5)
42 (1000-1200)	22662-42X	60 (27.2)	24112-42	25403-42	12 (5.4)
48 (1200-1400)	22662-48X	65 (29.5)	24112-48	25403-48	14 (6.4)
54 (1400-1600)	22662-54X	70 (31.8)	24112-54	25403-54	15 (6.8)
60 (1600-1800)	22662-60X	75 (34.0)	24112-60	25403-60	17 (7.7)
72 (1800-2000)	22662-72X	80 (36.3)	24112-72	25403-72	19 (8.6)
84 (2000-2200)	22662-84X	90 (40.8)	24112-84	25403-84	21 (9.5)
96 (2200-2400)	22662-96X	100 (45.4)	24112-96	25403-96	23 (10.4)
120 (2800-3000)	22662-120X	120 (54.4)	24112-120	25403-120	28 (12.7)

\*Metric dimensions indicate industry standards for metric belting, rather than a straight conversion.  
 \*\*Replace X with 1 for urethane blade. Remove X for rubber blade.

### MARTIN® DURT DOZER™ Tail-Protection Plow

The **MARTIN® DURT DOZER™ Tail-Protection Plow** installs on single-direction belts on the conveyor's return side, just before the belt enters the tail pulley. It sits across the belt at a 45° angle, using its curved blade to remove material from the inside surface of the belt at belt speeds up to 700 fpm (3.5 m/sec).



Belt Width* in. (mm)	Tail Protection Plow P/N	Assembly Shipping Weight lb (kg)	Replacement Blade P/N	Blade Shipping Weight lb (kg)
18 (400-500)	33600-18	45 (20.4)	33610-18	9 (4.1)
24 (500-650)	33600-24	54 (24.5)	33610-24	11 (4.9)
30 (650-800)	33600-30	60 (27.2)	33610-30	14 (6.4)
36 (800-1000)	33600-36	66 (29.9)	33610-36	16 (7.2)
42 (1000-1200)	33600-42	73 (33.1)	33610-42	18 (8.2)
48 (1200-1400)	33600-48	80 (36.3)	33610-48	21 (9.5)
54 (1400-1600)	33600-54	86 (39.0)	33610-54	23 (10.4)
60 (1600-1800)	33600-60	93 (42.2)	33610-60	26 (11.8)
72 (1800-2000)	33600-72	106 (48.1)	33610-72	31 (14.1)
84 (2000-2200)	33600-84	119 (53.9)	33610-84	36 (16.3)
96 (2200-2400)	33600-96	132 (59.8)	33610-96	41 (18.6)

\*Metric dimensions indicate industry standards for metric belting, rather than a straight conversion.

**MARTIN® Standard V-Plow**

The **MARTIN® Standard V-Plow** is an economical solution for tail protection in light- to moderate-duty applications. The sturdy 80 Shore A Durometer Nitrile rubber blade provides a 2-in. (50-mm) wear life at service temperatures to 250°F (121°C) and belt speeds up to 900 fpm (4.6 m/sec). Mounting hardware included.



Standard V-Plow Alternative Arm Lengths	
P/N	Arm Length in. (mm)
A-31131	2.12 (54)
A-31131-01	5.37 (136)
A-31131-02	8.37 (213)
A-31131-03	12.50 (318)
A31131-04	7.38 (187)

Belt Width* in. (mm)	V-Plow with Rubber Blade P/N**	Assembly Shipping Weight lb (kg)	Replacement Rubber Blade P/N**	Blade Shipping Weight lb (kg)
18 (400-500)	31106-18R	50 (22.7)	31134-18R	7 (3.2)
24 (500-650)	31106-24R	60 (27.2)	31134-24R	9 (4.1)
30 (650-800)	31106-30R	70 (31.8)	31134-30R	11 (5.0)
36 (800-1000)	31106-36R	80 (36.3)	31134-36R	13 (5.9)
42 (1000-1200)	31106-42R	90 (40.9)	31134-42R	15 (6.8)
48 (1200-1400)	31106-48R	100 (45.4)	31134-48R	17 (7.7)
54 (1400-1600)	31106-54R	110 (49.9)	31134-54R	19 (8.6)
60 (1600-1800)	31106-60R	120 (54.4)	31134-60R	21 (9.5)
72 (1800-2000)	31106-72R	140 (63.5)	31134-72R	23 (10.4)
84 (2000-2200)	31106-84R	160 (72.6)	31134-84R	25 (11.3)
96 (2200-2400)	31106-96R	180 (81.6)	31134-96R	27 (12.2)

\*Metric dimensions indicate industry standards for metric belting, rather than a straight conversion.

\*\*To order urethane blade or urethane replacement blade, replace R with U.



**MARTIN ENGINEERING USA**

One Martin Place  
Neponset, IL 61345-9766 USA  
800-544-2947 or 309-594-2384  
FAX: 309-594-2432  
[www.martin-eng.com](http://www.martin-eng.com)

Patents and patents pending. © Registered trademark of Martin Engineering Company in the U.S. and other select locations.

Additional information can be obtained at [www.martin-eng.com/trademarks](http://www.martin-eng.com/trademarks).

**QUALITY MANAGEMENT SYSTEM  
CERTIFIED BY DNV**

