

EUROPONS

NOZZLE FOR HOSE-REELS



24/960601A(A)

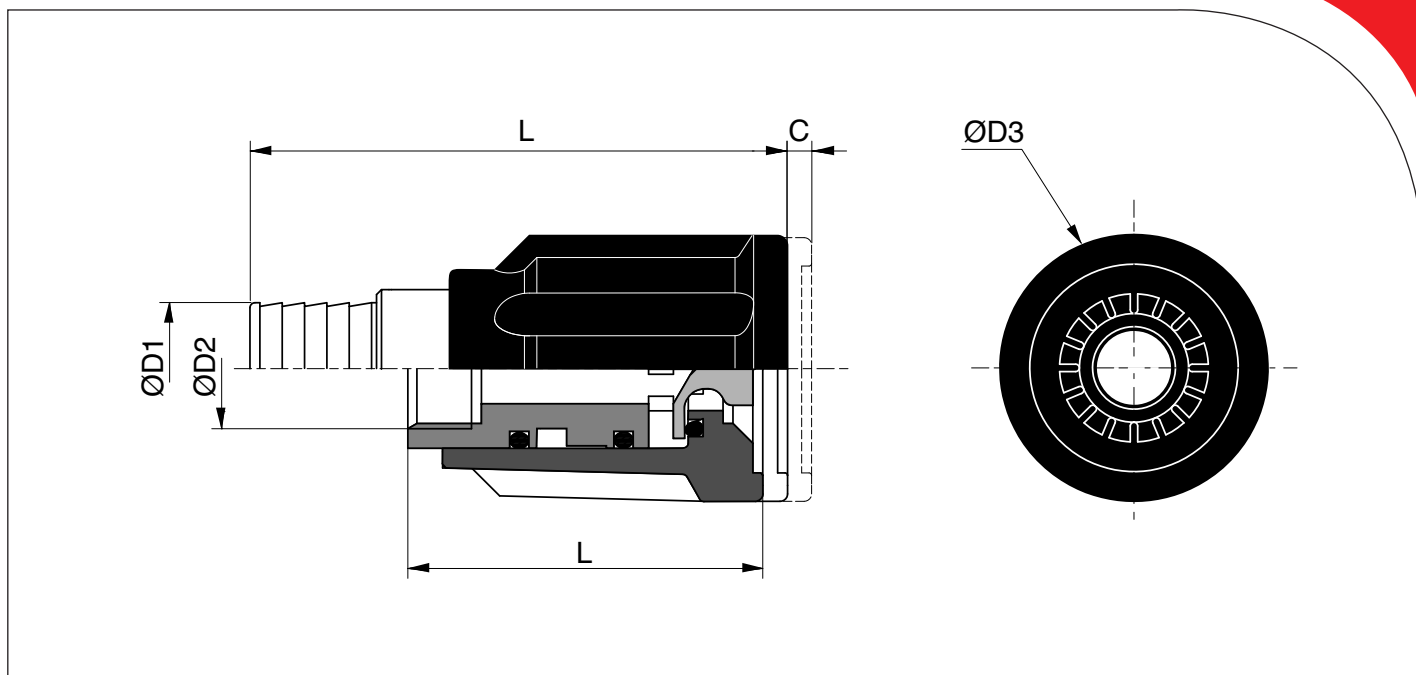
r. pons

R.P. S.A.S. au capital de 1.600.000 EUR - Siren 542 086 178 - APE 2814Z
R.C.S. Troyes B 542 086 178 - N° d'identification TVA/VAT N° FR 02 542086178



Direction commerciale / Sales management
5, pl. de la Bataille de Stalingrad 75010 PARIS
Tél 33 (0)1 53 38 86 86 - Fax 33 (0)1 53 38 86 99
Email : dir.com@r-pons.fr - Site : www.rpons.fr

Siège social et Usine / Head office and Works
9, rue des moulins FONTAINE - FRANCE
BP 107 10202 BAR-SUR-AUBE CEDEX
© 33 (0)3 25 92 31 00 - Fax 33 (0)3 25 92 31 12
Email : usine@r-pons.fr



EUROPONS NOZZLE FOR HOSE-REELS

● DESCRIPTION

EUROPONS nozzles, DMF A type, 3 positions, destined to equip hose-reels.

In compliance with the NF EN 671-1 (hose-reels equipped with semi-rigid hoses).

Due to their design, we obtain a very efficient and homogenous conical spray jet composed of very small droplets. These nozzles are very easy to operate. The selection of the pattern is made by simple rotation of the head of the nozzle (OFF, conical spray jet and straight jet).

● CHARACTERISTICS

● CONSTRUCTION

Body : brass or stainless steel 316L with electrolytic finishing.
Rings :

- NBR for brass nozzle
- FPM for stainless steel nozzle

Head (jet selector) in Delrin (POM).

Size	Dimensions (mm)					Flow rates (L/min)	Throw range (m)		Parts Numbers	Weight (kg)
	Ø D1	Ø D2	Ø D3	L(mini)	C*		Straight jet	Conical jet		
BRASS										
19/6	19	-	53,5	97	3	64	16	7	3046.409A	0,370
19/6	-	M.18X2	53,5	71,5	3	64	16	7	3046.409F	0,300
25/8	25	-	53,5	101,5	5	85	17	8	3046.401A	0,420
25/8	-	M.24X2	53,5	71,5	5	85	17	8	3046.401F	0,330
STAINLESS STEEL										
25/8	-	M.24X2	53,5	71,5	5	85	17	8	3046.801F	0,300
40/12	-	M.36X2	74	97	8,5	234	25	11,5	3046.804F	0,700

*C : displacement of the nozzle on the body (in brass or stainless steel) according to the selected diffusion

NOTA : the drawings and diagrams in the present document are for illustration only and do not constitute an offer. We reserve the right to make any modification without notice.