

WATER CURTAINS

HYDROSHIELDS



24/920713C(A)

r. pons

R.P. S.A.S. au capital de 1.600.000 EUR - Siren 542 086 178 - APE 2814Z
R.C.S. Troyes B 542 086 178 - N° d'identification TVA/VAT N° FR 02 542086178



Direction commerciale / Sales management
5, pl. de la Bataille de Stalingrad 75010 PARIS
Tél 33 (0)1 53 38 86 86 - Fax 33 (0)1 53 38 86 99
Email : dir.com@r-pons.fr - Site : www.rpons.fr

Siège social et Usine / Head office and Works
9, rue des moulins FONTAINE - FRANCE
BP 107 10202 BAR-SUR-AUBE CEDEX
© 33 (0)3 25 92 31 00 - Fax 33 (0)3 25 92 31 12
Email : usine@r-pons.fr

WATER CURTAINS HYDROSHIELDS

DESCRIPTION

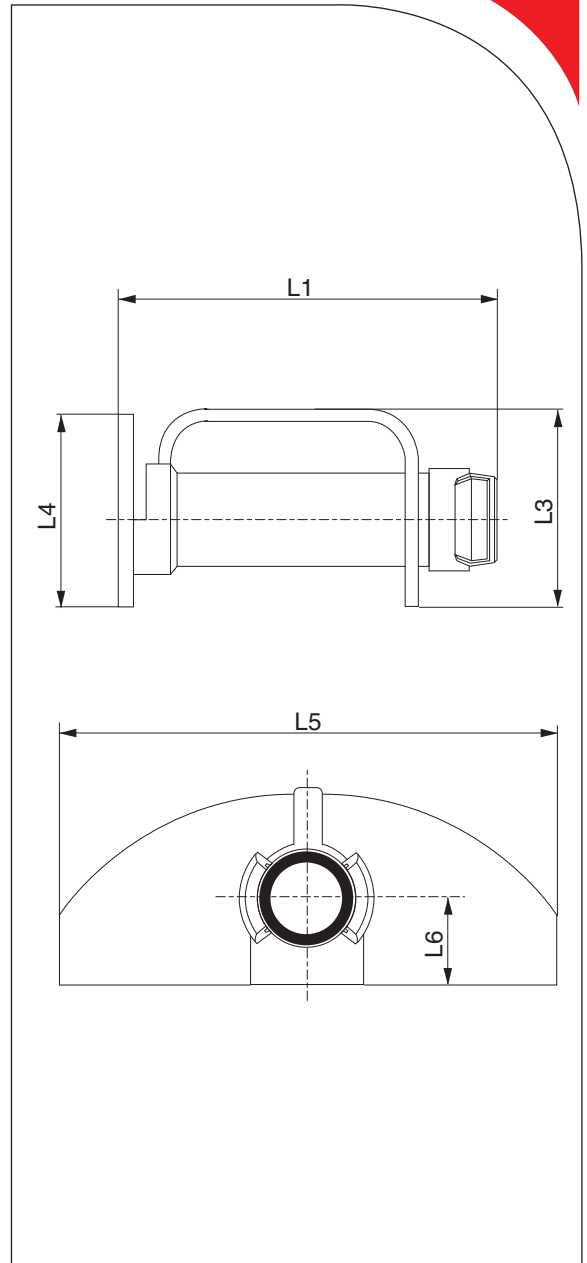
The water curtains, (hydroshields) connected to a fire hose or installed on fixed equipment, create an effective protection against the heat radiation, possible projections of ignited particles and create a protection against the propagation of smoke. Usually used for the protection of sites where the risks of fire propagation are high.

CONSTRUCTION

Body and inlet half coupling in aluminium alloy EN AC-42200 T6 of first fusion with heat treatment and red plasticization.
Diffusion part in aluminium alloy EN AW-2017A.
Nuts and bolts in stainless steel.

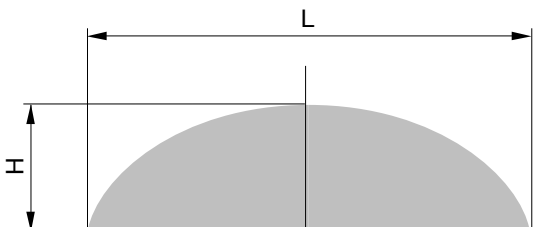
CHARACTERISTICS

- ND (size)	40	65
- Dimensions (mm)		
• L1	240	305
• L3	130	160
• L4	110	145
• L5	325	400
• L6	47	70
- Inlet		
• Male BSP thread	G 2 B	G 2 1/2 B
Part numbers	3080.518	3080.525
• DSP without locking ring	DN 40	DN 65
Part numbers	3080.519	3080.526
- Weight (Kg)	1,500	2,820



HYDRAULICS CHARACTERISTICS

Sheet jet diffusion



Pressure (bar)	DSP 40			DSP 65		
	Flow rates (L/min)	Height (m)	Width (m)	Flow rates (L/mn)	Height (m)	Width (m)
4	318	4	20	925	5,2	28
5	363	4,8	24	1025	5,8	30
6	400	5,3	26	1146	6,2	32
8	460	6,4	29	1320	7,3	35
10	516	6,8	31	1470	7,8	37

NOTA : The drawings and diagrams in the present document are for illustration only and do not constitute an offer. We reserve the right to make any modification without notice.

24/920713C(A)



Direction commerciale / Sales management
5, pl. de la Bataille de Stalingrad 75010 PARIS
Tél 33 (0)1 53 38 86 86 - Fax 33 (0)1 53 38 86 99
Email : dir.com@r-pons.fr - Site : www.rpons.fr

Siège social et Usine / Head office and Works
9, rue des moulins FONTAINE - FRANCE
BP 107 10202 BAR-SUR-AUBE CEDEX
© 33 (0)3 25 92 31 00 - Fax 33 (0)3 25 92 31 12
Email : usine@r-pons.fr