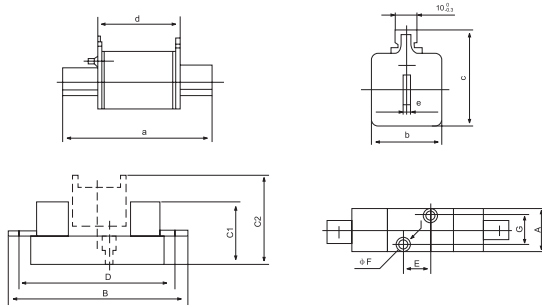


# HRT16 Fuse

Standard: IEC 60269

## Overall Dimensions

Unit: mm



Type	HRT16-00C	HRT16-00	HRT16-1	HRT16-2	HRT16-3
a	78.5	78.5	135	150	150
b	21	29	48	58	67
c	57	57	62	72	85
d	49	49	67	67	67
e	6	6	6	6	6
A	-	30	58	64	64
B	-	120	200	250	250
C1	-	61	83	99	105
C2	-	85	96	112	120
D	-	100	175	200	210
E	-	25	25	25	25
F	-	7.5	10.5	10.5	10.5
G	-	—	30	30	30

# HRT18 Fuse

Standard: IEC 60269



## Function

HRT18 fuse provides:

- Protection of circuits against overload current
- Protection of circuits against short-circuit current

## Order Information

Cylindrical Fuse	Rated Current In(A)	Weight (g)	Reference
HRT18-32	2	8	HRT1810382
	4		HRT1810384
	6		HRT1810386
	8		HRT1810388
	10		HRT18103810
	12		HRT18103812
	16		HRT18103816
	20		HRT18103820
	25		HRT18103825
	32		HRT18103832
HRT18-63	2	20	HRT1814512
	4		HRT1814514
	6		HRT1814516
	8		HRT1814518
	10		HRT18145110
	12		HRT18145112
	16		HRT18145116
	20		HRT18145120
	25		HRT18145125
	32		HRT18145132
	40		HRT18145140
	50		HRT18145150
	63		HRT18145163

