

HDCH8S Modular Contactor

Standard: IEC 61095



Function

HDCH8S Modular Contactor provide:

- HDCH8S Modular Contactor provide:
- Switch on or Switch off lighting or other equipments

Order Information

| Pole | Current (A) | Contacts | Reference | |
|---------|-------------|-------------|-------------|-------------|
| 2P | 16 | 2NO | HDCH8S16220 | |
| | | 2NC | HDCH8S16202 | |
| | | 1NO 1NC | HDCH8S16211 | |
| | 20 | 2NO | HDCH8S20220 | |
| | | 2NC | HDCH8S20202 | |
| | | 1NO 1NC | HDCH8S20211 | |
| | 25 | 2NO | HDCH8S25220 | |
| | | 2NC | HDCH8S25202 | |
| | | 1NO 1NC | HDCH8S25211 | |
| | 40 | 2NO | HDCH8S40220 | |
| | | 2NC | HDCH8S40202 | |
| | | 1NO 1NC | HDCH8S40211 | |
| | 63 | 2NO | HDCH8S63220 | |
| | | 2NC | HDCH8S63202 | |
| | | 1NO 1NC | HDCH8S63211 | |
| 4P | 16 | 4NO | HDCH8S16440 | |
| | | 4NC | HDCH8S16404 | |
| | | 2NO 2NC | HDCH8S16422 | |
| | | 3NO 1NC | HDCH8S16431 | |
| | | 20 | 4NO | HDCH8S20440 |
| | | | 4NC | HDCH8S20404 |
| | 2NO 2NC | | HDCH8S20422 | |
| | 3NO 1NC | | HDCH8S20431 | |
| | 25 | | 4NO | HDCH8S25440 |
| | | | 4NC | HDCH8S25404 |
| | | 2NO 2NC | HDCH8S25422 | |
| | | 3NO 1NC | HDCH8S25431 | |
| | | 40 | 4NO | HDCH8S40440 |
| | | | 4NC | HDCH8S40404 |
| | 2NO 2NC | | HDCH8S40422 | |
| | 3NO 1NC | | HDCH8S40431 | |
| | 63 | | 4NO | HDCH8S63440 |
| | | | 4NC | HDCH8S63404 |
| 2NO 2NC | | HDCH8S63422 | | |
| 3NO 1NC | | HDCH8S63431 | | |



HDCH8S Modular Contactor

Standard: IEC 61095



Technical information

| Parameter | | Item | 16 | 20 | 25 | 40 | 63 |
|--|-----------------|---------------|--------------------------|-----|-----|----------------------|-----|
| Standard | | | IEC 61095 | | | | |
| Rated Current In(A) | AC-7a | | 16 | 20 | 25 | 40 | 63 |
| | AC-7b | | 6 | 7 | 8.5 | 15 | 20 |
| Conventional Free Air Thermal Current Ith(A) | | | 25 | 25 | 25 | 63 | 63 |
| Rated Insulation Voltage Ui(V) | | | 500 | | | | |
| Rated Voltage Ue(V) | | | 250 | | 400 | | |
| Ambient Temperature | | | -5°C~ 40°C | | | | |
| Making and Breaking Capacity | | | 1.5le | | 8le | | |
| Rated Voltage Ue(V) | | | 250 | | 400 | | |
| Main Contacts | | 2P | 1NO1NC, 2NO, 2NC | | | | |
| | | 4P | 2NO2NC, 3NO1NC, 4NO, 4NC | | | | |
| Controlled power (kW) | AC-7a | 230V | 3.5 | 4.5 | 5.5 | 9 | 14 |
| | | 400V | 6.5 | 8 | 10 | 16 | 25 |
| | AC-7b | 230V | 1.4 | 1.6 | 2 | 3.5 | 4.5 |
| | | 400V | 2.4 | 2.8 | 3.4 | 6 | 8 |
| Electrical durabilities | | | 10×10 ⁴ | | | | |
| Mechanical durabilities | | | 100×10 ⁴ | | | | |
| Operation frequency /1h | | | 100 | | | | |
| Coil Voltage Us(V) | | | AC 230V 50/60Hz | | | | |
| Wiring Ability (mm ²) | Control circuit | Rigid wire | 1.5~2.5 mm ² | | | 2×1.5mm ² | |
| | | Flexible wire | 1.5~2.5 mm ² | | | 2×2.5mm ² | |
| | Main circuit | Rigid wire | 1.5×6mm ² | | | 6×2.5mm ² | |
| | | Flexible wire | 1~4 mm ² | | | 6~16mm ² | |

HDCH8S Modular Contactor

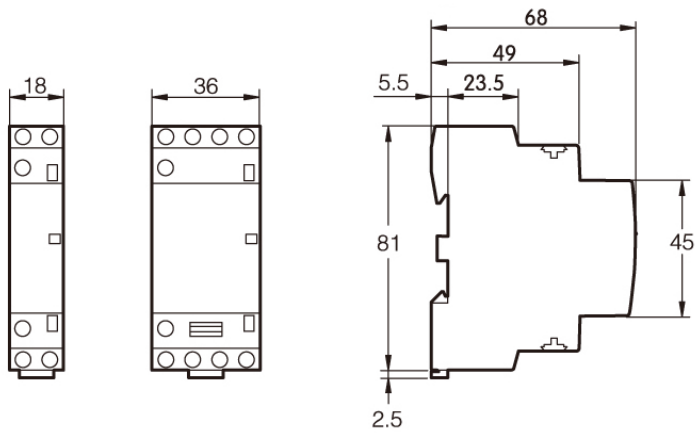
Standard: IEC 61095



Overall Dimensions

HDCH8S 16-63A

HDCH8S , 16-25A



HDCH8S , 40-63A

