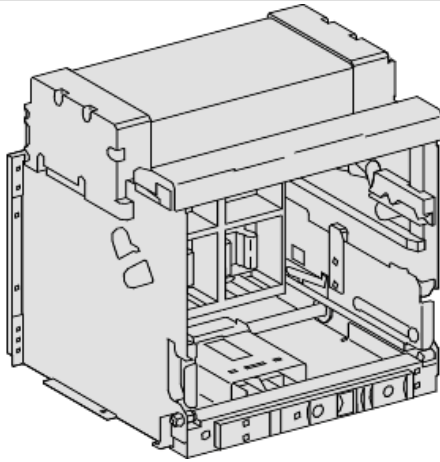


Product data sheet

Characteristics

48408

chassis for drawout NW4000 -
H1,H10,H2,H3,HA,HA10,HF - 4 poles - 4000 A



Main

Product or component type	Chassis
Accessory / separate part category	Mounting accessory
Range compatibility	Masterpact NW circuit breaker
Circuit breaker name	Masterpact NW40H10 Masterpact NW40H3 Masterpact NW40H2 Masterpact NW40H1 Masterpact NW40HF Masterpact NW40HA Masterpact NW40HA10
Poles description	4P
Performance level	HA H3 H10 HF HA10 H2 H1

Complementary

Mounting mode	Fixed
[In] rated current	4000 A at 40 °C

Packing Units

Unit Type of Package 1	PCE
Number of Units in Package 1	1
Package 1 Weight	57.208 kg
Package 1 Height	64 cm
Package 1 width	80 cm
Package 1 Length	60 cm

Offer Sustainability

EU RoHS Directive	Compliant EU RoHS Declaration
-------------------	--

Mercury free	Yes
RoHS exemption information	Yes
China RoHS Regulation	China RoHS declaration Product out of China RoHS scope. Substance declaration for your information

Contractual warranty

Warranty	18 months
----------	-----------
