

Lighting: residential, commercial...

How to control outdoor lighting by motion detection, a twilight switch and impulse relays?

The Argus motion detector controls lighting 1 if:

- the movement of a passer-by cuts the infrared beams,
- brightness is below the Argus's darkness detection setting.

The iTL impulse relay controls lighting 2:

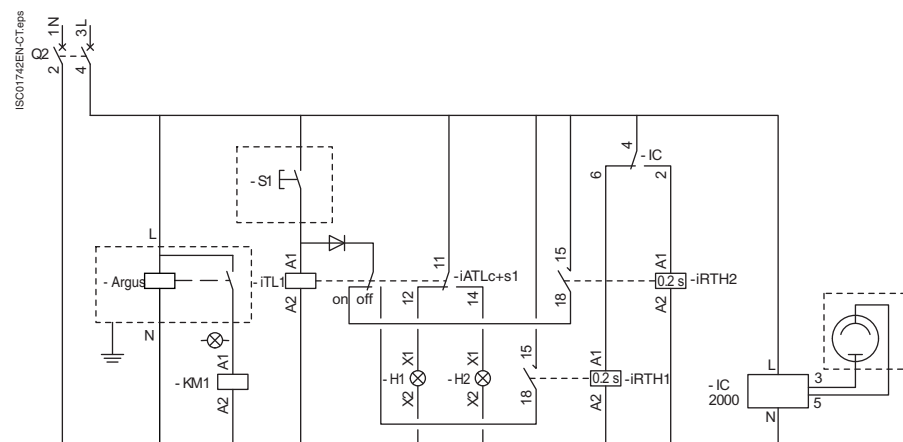
- by manual pressing of push-button S1,
- automatically by the IC2000 twilight switch. The iRTH time delay relays transform the latched order from the IC2000 into an impulse order that can be processed by the iATLc+s impulse relay auxiliary.

The iATLc+s impulse relay combined with indicators may be used for remote indication of lighting 2 "ON" and "OFF".

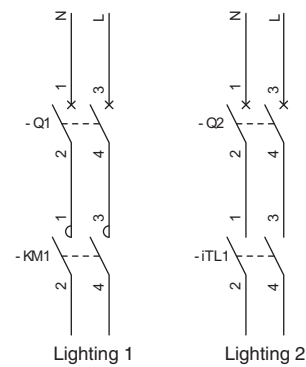
Additional information

RTH recommended adjustable time delay: 0.3 s

Control circuit



Power circuit



Products used	Qty.	Part no.
2P iC60N	2	
2P iTL	1	A9C30812
iATLc+s	1	A9C15409
2P ICT	1	
iRTH	2	A9A16068

Products used	Qty.	Part no.
IC2000 (with cell)	1	CCT15368
Red signal lamp	1	A9E18320
Green signal lamp	1	A9E18321
Argus presence	1	MTN550590

