



### Main

Range of product	Harmony K
Product or component type	Complete cam switch
Component name	K63
[Ith] conventional free air thermal current	63 A
Mounting location	Front
Fixing mode	4 holes
Cam switch head type	With front plate 64 x 64 mm
Type of operator	Black handle
Rotary handle padlocking	Without
Presentation of legend	With metallic legend, 1 - 0 - 2 black marking
Cam switch function	Changeover switch
Return	Without
Off position	With Off position
Poles description	4P
Switching positions	Left: 0° - 300° Right: 0° - 60°
IP degree of protection	IP40 conforming to IEC 529 IP40 conforming to NF C 20-010

### Complementary

Switching angle	60 °
[Ui] rated insulation voltage	690 V (pollution degree 3) conforming to EN 60947-1 690 V (pollution degree 3) conforming to IEC 60947-1
Short-circuit current	10000 A
Short-circuit protection	80 A cartridge fuse, type gG
[Uimp] rated impulse withstand voltage	6 kV conforming to EN 947-1 6 kV conforming to IEC 947-1
Contact operation	Slow-break
Positive opening	With
Electrical connection	Captive screw clamp terminals flexible, clamping capacity: 2 x 10 mm <sup>2</sup> Captive screw clamp terminals solid, clamping capacity: 2 x 16 mm <sup>2</sup>

Tightening torque	2.5 N.m
Switching capacity in mA	20000 mA DC at 140 V 3 contact(s) for inductive load (T = 50 ms) 20000 mA DC at 48 V 1 contact(s) for inductive load (T = 50 ms) 20000 mA DC at 95 V 2 contact(s) for inductive load (T = 50 ms) 30000 mA DC at 120 V 2 contact(s) for resistive load (T = 1 ms) 30000 mA DC at 180 V 3 contact(s) for resistive load (T = 1 ms) 30000 mA DC at 60 V 1 contact(s) for resistive load (T = 1 ms) 55000 mA DC at 30 V 1 contact(s) for inductive load (T = 50 ms) 55000 mA DC at 60 V 2 contact(s) for inductive load (T = 50 ms) 55000 mA DC at 90 V 3 contact(s) for inductive load (T = 50 ms) 63000 mA DC at 140 V 3 contact(s) for resistive load (T = 1 ms) 63000 mA DC at 24 V 1 contact(s) for inductive load (T = 50 ms) 63000 mA DC at 24 V 1 contact(s) for resistive load (T = 1 ms) 63000 mA DC at 48 V 1 contact(s) for resistive load (T = 1 ms) 63000 mA DC at 48 V 2 contact(s) for inductive load (T = 50 ms) 63000 mA DC at 48 V 2 contact(s) for resistive load (T = 1 ms) 63000 mA DC at 70 V 3 contact(s) for inductive load (T = 50 ms) 63000 mA DC at 70 V 3 contact(s) for resistive load (T = 1 ms) 63000 mA DC at 95 V 2 contact(s) for resistive load (T = 1 ms)
Mechanical durability	300000 cycles
CAD overall width	64 mm
CAD overall height	64 mm
CAD overall depth	154 mm
Net weight	0.68 kg

## Environment

Standards	EN/IEC 60947-3
Product certifications	CULus 120 V 3 hp 1 phase CULus 480 V 25 hp 3 phases CULus 240 V 7.5 hp 1 phase CULus 240 V 10 hp 3 phases
Protective treatment	TC
Ambient air temperature for operation	-25...55 °C
Ambient air temperature for storage	-40...70 °C
Overvoltage category	Class II conforming to IEC 60536 Class II conforming to NF C 20-030

## Packing Units

Unit Type of Package 1	PCE
Number of Units in Package 1	1
Package 1 Weight	602 g
Package 1 Height	7.4 cm
Package 1 width	7.4 cm
Package 1 Length	16 cm

## Offer Sustainability

REACH Regulation	<a href="#">REACH Declaration</a>
REACH free of SVHC	Yes
EU RoHS Directive	Pro-active compliance (Product out of EU RoHS legal scope) <a href="#">EU RoHS Declaration</a>
Toxic heavy metal free	Yes
Mercury free	Yes
RoHS exemption information	<a href="#">Yes</a>
China RoHS Regulation	<a href="#">China RoHS declaration</a>
WEEE	The product must be disposed on European Union markets following specific waste collection and never end up in rubbish bins

Contractual warranty

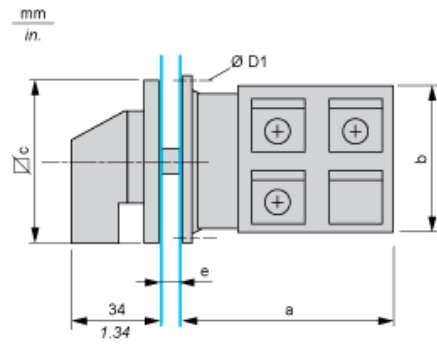
---

Warranty	18 months
----------	-----------

---

Dimensions

Front Mounting

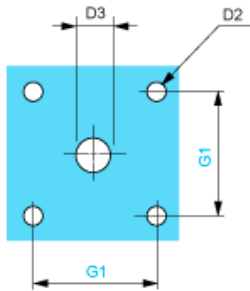


e support panel thickness 0.5 to 5.5 mm / 0.02 to 0.22 in.

a		b		c		D1	
mm	in.	mm	in.	mm	in.	mm	in.
114.3	4.50	66	2.60	64	2.52	5.4	0.21

Panel Cut-Out

Front Mounting



D2		D3		G1	
mm	in.	mm	in.	mm	in.
4.5	0.18	10	0.39	48	1.89

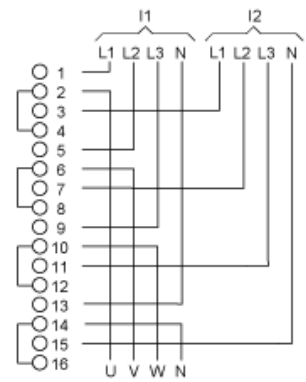
---

Link Positions (Factory Mounted)

---

Diagram for 1 to 4-pole Switches

Select the number of poles according to the product characteristics

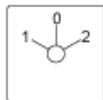


I1     Input 1  
I2     Input 2

---

Marking

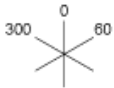
---



---

Angular Position of Switch

---

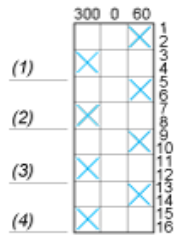




---

Switching Program

---



- (1) 1-pole
- (2) 2-pole
- (3) 3-pole
- (4) 4-pole

---

Convention Used for Switching Program Representation

---

Contact closed

Contact closed in 2 positions and maintained between the 2 positions

Sealed assembly for auto-maintain control

Overlapping contacts

Spring return position: for a switching angle of 90°, spring return is over 30° after the last position (for a maximum of 3 simultaneous contacts).

Example:

