



### Main

Range of product	Harmony K
Product or component type	Complete cam switch
Component name	K115
[I <sub>th</sub> ] conventional free air thermal current	115 A
Mounting location	Front
Fixing mode	4 holes
Cam switch head type	With front plate 88 x 88 mm
Type of operator	Black handle
Rotary handle padlocking	Without
Presentation of legend	With metallic legend, 1 - 0 - 2 black marking
Cam switch function	Changeover switch
Return	Without
Off position	With Off position
Poles description	4P
Switching positions	Right: 0° - 60° Left: 0° - 300°
IP degree of protection	IP40 conforming to IEC 529 IP40 conforming to NF C 20-010

### Complementary

Switching angle	60 °
[U <sub>i</sub> ] rated insulation voltage	690 V (pollution degree 3) conforming to EN 60947-1 690 V (pollution degree 3) conforming to IEC 60947-1
Rated operational power in W	13000 W AC-3, 380/440 V 1 phase conforming to EN/IEC 60947-3 15000 W AC-23A, 220/240 V 1 phase conforming to EN/IEC 60947-3 15000 W AC-3, 220/240 V 3 phases conforming to EN/IEC 60947-3 22000 W AC-23A, 380/440 V 1 phase conforming to EN/IEC 60947-3 30000 W AC-23A, 220/240 V 3 phases conforming to EN/IEC 60947-3 30000 W AC-3, 380/440 V 3 phases conforming to EN/IEC 60947-3 30000 W AC-3, 660/690 V 3 phases conforming to EN/IEC 60947-3 3700 W AC-3, 110 V 1 phase conforming to EN/IEC 60947-3 45000 W AC-23A, 380/440 V 3 phases conforming to EN/IEC 60947-3 5500 W AC-23A, 110 V 1 phase conforming to EN/IEC 60947-3 65000 W AC-23A, 660/690 V 3 phases conforming to EN/IEC 60947-3

7500 W AC-3, 220/240 V 1 phase conforming to EN/IEC 60947-3

[I <sub>e</sub> ] rated operational current AC	100 A AC-21A conforming to EN/IEC 60947-3
Short-circuit current	15000 A
Short-circuit protection	125 A cartridge fuse, type gG
[U <sub>imp</sub> ] rated impulse withstand voltage	6 kV conforming to EN 947-1 6 kV conforming to IEC 947-1
Contact operation	Slow-break
Positive opening	With
Electrical connection	Captive screw clamp terminals flexible, clamping capacity: 1 x 25 mm <sup>2</sup> Captive screw clamp terminals solid, clamping capacity: 1 x 35 mm <sup>2</sup>
Tightening torque	2.5 N.m
Switching capacity in mA	100000 mA DC at 140 V 3 contact(s) for resistive load (T = 1 ms) 100000 mA DC at 24 V 1 contact(s) for inductive load (T = 50 ms) 100000 mA DC at 48 V 1 contact(s) for resistive load (T = 1 ms) 100000 mA DC at 48 V 2 contact(s) for inductive load (T = 50 ms) 100000 mA DC at 70 V 3 contact(s) for inductive load (T = 50 ms) 100000 mA DC at 95 V 2 contact(s) for resistive load (T = 1 ms) 115000 mA DC at 24 V 1 contact(s) for resistive load (T = 1 ms) 115000 mA DC at 48 V 2 contact(s) for resistive load (T = 1 ms) 115000 mA DC at 70 V 3 contact(s) for resistive load (T = 1 ms) 33000 mA DC at 30 V 1 contact(s) for inductive load (T = 50 ms) 33000 mA DC at 60 V 2 contact(s) for inductive load (T = 50 ms) 33000 mA DC at 90 V 3 contact(s) for inductive load (T = 50 ms)
Mechanical durability	300000 cycles
CAD overall width	88 mm
CAD overall height	88 mm
CAD overall depth	181 mm
Net weight	0.75 kg

## Environment

Standards	EN/IEC 60947-3
Product certifications	CULus 120 V 5 hp 1 phase CULus 240 V 10 hp 1 phase CULus 240 V 20 hp 3 phases CULus 480 V 30 hp 3 phases
Protective treatment	TC
Ambient air temperature for operation	-25...55 °C
Ambient air temperature for storage	-40...70 °C
Overvoltage category	Class II conforming to IEC 60536 Class II conforming to NF C 20-030

## Packing Units

Unit Type of Package 1	PCE
Number of Units in Package 1	1
Package 1 Weight	1.206 kg
Package 1 Height	9.8 cm
Package 1 width	9.8 cm
Package 1 Length	24 cm
Unit Type of Package 2	S03
Number of Units in Package 2	5
Package 2 Weight	6.634 kg
Package 2 Height	30 cm
Package 2 width	30 cm
Package 2 Length	40 cm

## Offer Sustainability

REACH free of SVHC	Yes
--------------------	-----

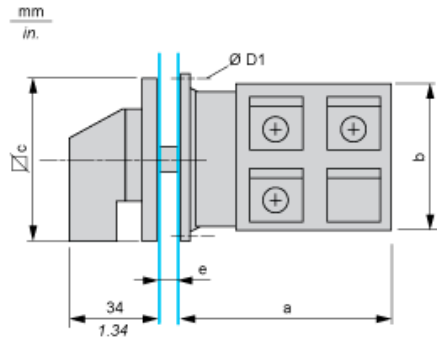
EU RoHS Directive	Pro-active compliance (Product out of EU RoHS legal scope) <a href="#">EU RoHS Declaration</a>
Toxic heavy metal free	Yes
Mercury free	Yes
RoHS exemption information	<a href="#">Yes</a>
China RoHS Regulation	<a href="#">China RoHS declaration</a>
WEEE	The product must be disposed on European Union markets following specific waste collection and never end up in rubbish bins

### Contractual warranty

Warranty	18 months
----------	-----------

Dimensions

Front Mounting

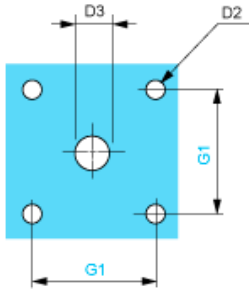


e support panel thickness 0.5 to 5.5 mm / 0.02 to 0.22 in in.

a		b		c		D1	
mm	in.	mm	in.	mm	in.	mm	in.
141	5.55	84	3.31	88	3.46	5.4	0.21

Panel Cut-Out

Front Mounting



D2		D3		G1	
mm	in.	mm	in.	mm	in.
6	0.24	13	0.51	68	2.68

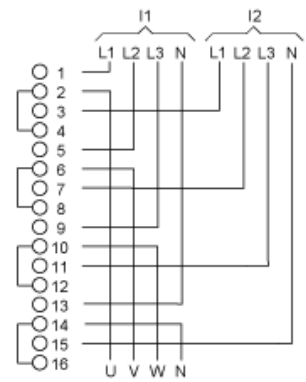
---

Link Positions (Factory Mounted)

---

Diagram for 1 to 4-pole Switches

Select the number of poles according to the product characteristics

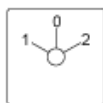


I1     Input 1  
I2     Input 2

---

Marking

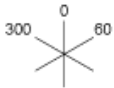
---



---

Angular Position of Switch

---

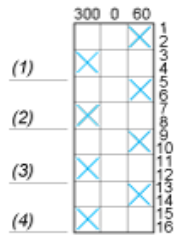




---

Switching Program

---



- (1) 1-pole
- (2) 2-pole
- (3) 3-pole
- (4) 4-pole

---

Convention Used for Switching Program Representation

---

Contact closed

Contact closed in 2 positions and maintained between the 2 positions

Sealed assembly for auto-maintain control

Overlapping contacts

Spring return position: for a switching angle of  $90^\circ$ , spring return is over  $30^\circ$  after the last position (for a maximum of 3 simultaneous contacts).

Example:

