



## Main

Range of product	Easypact CVS400...630
Product or component type	Circuit breaker
Device short name	CVS400F
Device application	Distribution
Poles description	4P
Protected poles description	4d 3d + N/2 3d
Neutral position	Left
Earth leakage protection (Vigi add on)	Without
[In] rated current	400 A at 40 °C
Breaking capacity code	F
Network type	AC
[Icu] Breaking capacity	40 kA Icu at 220/240 V AC 50/60 Hz conforming to IEC 60947-2 36 kA Icu at 380/415 V AC 50/60 Hz conforming to IEC 60947-2 30 kA Icu at 440 V AC 50/60 Hz conforming to IEC 60947-2
Utilisation category	Category A
Trip unit name	ETS 2.3
Trip unit technology	Electronic
Trip unit rating	400 A at 40 °C
Protection type	Short time short-circuit protection Instantaneous short-circuit protection Overload protection (long time)

## Complementary

Network frequency	50/60 Hz
Control type	Toggle
Mounting mode	Fixed

Mounting support	Backplate
Upside connection	Front
Downside connection	Front
Connections - terminals	Screw connection
[Uimp] rated impulse withstand voltage	8 kV conforming to EN/IEC 60947-2
[Ics] rated service breaking capacity	40 kA at 220/240 V AC 50/60 Hz conforming to IEC 60947-2 36 kA at 380/415 V AC 50/60 Hz conforming to IEC 60947-2 23 kA at 440 V AC 50/60 Hz conforming to IEC 60947-2
Mechanical durability	15000 cycles
Electrical durability	6000 cycles 415 V In conforming to IEC 60947-2
Connection pitch	45 mm
Contact position indicator	Yes
Neutral protection setting	1 x Ir (4d) 0.5 x Ir (3d + N/2)
Trip unit protection functions	LSol
Long time pick-up adjustment type Ir	Adjustable 9 settings
Long time pick-up adjustment range	160...400 A
Long time delay adjustment type	Fixed
[Tr] long-time delay adjustment range	5.5 s at 7.2 x Ir 8 s at 6 x Ir 200 s at 1.5 x Ir
Thermal memory	Yes
Short-time pick-up adjustment type I <sub>sd</sub>	Adjustable 9 settings
[I <sub>sd</sub> ] short-time pick-up adjustment range	1.5...10 x Ir
Short-time delay adjustment type	Fixed
Instantaneous pick-up adjustment type I <sub>i</sub>	Fixed
Instantaneous pick-up adjustment range	11 x In
Height	255 mm
Width	185 mm
Depth	110 mm
Net weight	6.3 kg

## Environment

Electrical shock protection class	Class II
Standards	IEC 60947-2 EN 60947-2
Product certifications	IEC GOST
IP degree of protection	IP40
Pollution degree	3 conforming to IEC 60664-1
Ambient air temperature for operation	-25...70 °C
Ambient air temperature for storage	-50...85 °C

## Packing Units

Unit Type of Package 1	PCE
Number of Units in Package 1	1
Package 1 Weight	8.23 kg
Package 1 Height	15.5 cm
Package 1 width	20.5 cm
Package 1 Length	29 cm
Unit Type of Package 2	CAR
Number of Units in Package 2	3

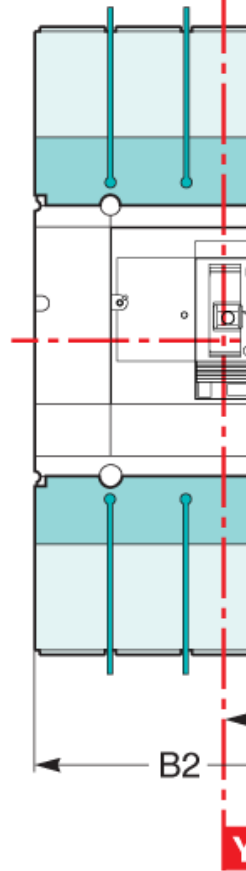
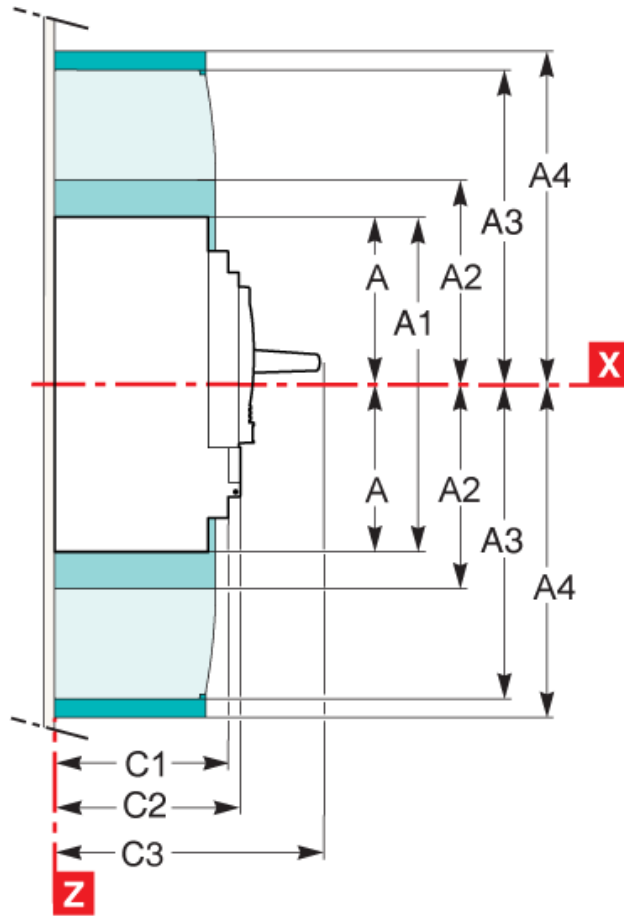
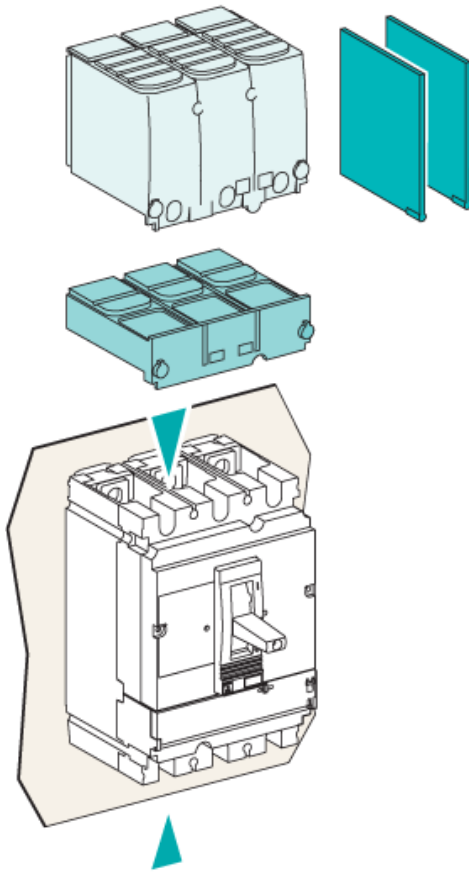
Package 2 Weight	24.69 kg
Package 2 Height	23 cm
Package 2 width	38 cm
Package 2 Length	49.5 cm
Unit Type of Package 3	S04
Number of Units in Package 3	3
Package 3 Weight	25.19 kg
Package 3 Height	30 cm
Package 3 width	40 cm
Package 3 Length	60 cm

### Offer Sustainability

Sustainable offer status	Green Premium product
REACH Regulation	<a href="#">REACH Declaration</a>
EU RoHS Directive	Compliant <a href="#">EU RoHS Declaration</a>
Mercury free	Yes
RoHS exemption information	<a href="#">Yes</a>
China RoHS Regulation	<a href="#">China RoHS declaration</a> Product out of China RoHS scope. Substance declaration for your information
Environmental Disclosure	<a href="#">Product Environmental Profile</a>
Circularity Profile	<a href="#">End of Life Information</a>
WEEE	The product must be disposed on European Union markets following specific waste collection and never end up in rubbish bins

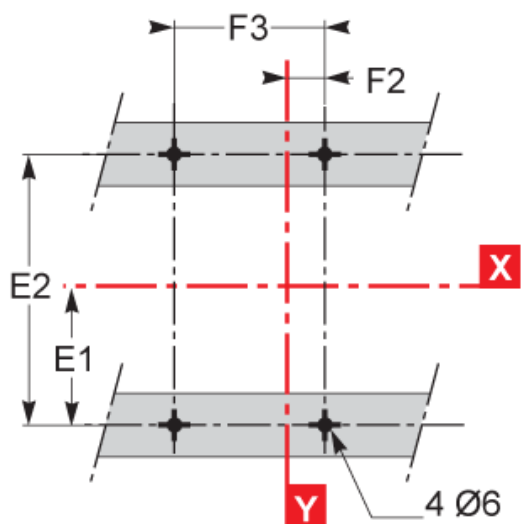
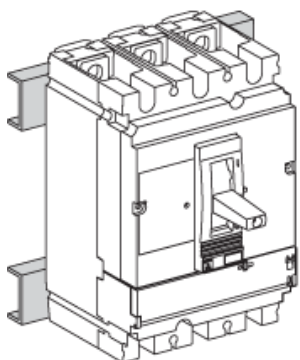
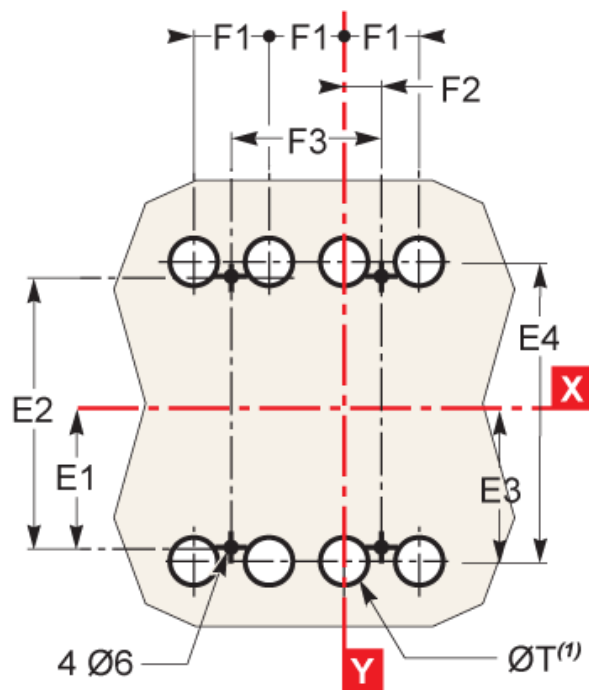
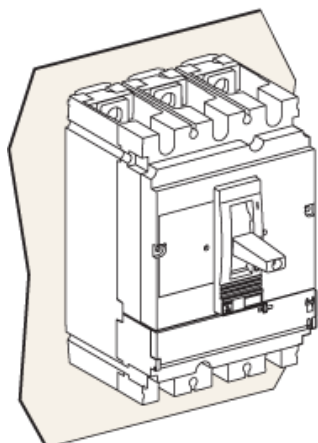
### Contractual warranty

Warranty	18 months
----------	-----------



Type	A	A1	A2	A3	A4	A5	A6	A7	A8	A9	B	B1	B2	C1	C2	C3	E1
CVS100I60/250	80.5	161	94	145	178.5	155.5	236	169	220	253.5	52.5	105	140	81	86	111 <sup>Ø</sup>	62.5
CVS400I630	127.5	255	142.5	200	237	227.5	355	242.5	300	337	70	140	185	95.5	110	168	100
Type	E2	E3	E4	E5	E6	E7	E8	F1	F2	F3	G1	G2	G3	G4	G5	ØT	U
CVS100I60/250	125	70	140	137.5	200	145	215	35	17.5	70	96	75	13.5	23	17.5	24	y 32
CVS400I630	200	113.5	227	200	300	213.5	327	45	22.5	90	-	-	-	-	32	y 35	

[Z] C3>126mm for EasyPact CVS250B.F.



Type	A	A1	A2	A3	A4	A5	A6	A7	A8	A9	B	B1	B2	C1	C2	C3	E1
CVS100/160/250	80.5	161	94	145	178.5	156.5	236	109	220	253.5	52.5	105	140	81	86	111 <sup>(2)</sup>	62.5
CVS400/630	127.5	255	142.5	200	237	227.5	355	242.5	300	337	70	140	185	95.5	110	168	100
Type	E2	E3	E4	E5	E6	E7	E8	F1	F2	F3	G1	G2	G3	G4	G5	ØT	U
CVS100/160/250	125	70	140	137.5	200	145	215	35	17.5	70	95	75	13.5	23	17.5	24	y 32
CVS400/630	200	113.5	227	200	300	213.5	327	45	22.5	90	-	-	-	-	-	32	y 35

(2) C3=126mm for EasyPact CVS250B.F.

